

# nirmal-1000-mmV

## PATIENT TRANSFER HOIST

A unique POWERED device that enables transfer of persons with limited Mobility for BED to TOILETS,WHEELCHAIRS,SOFA or CAR in 3 SIMPLE STEPS



1. PLACE SLING UNDER PATIENT

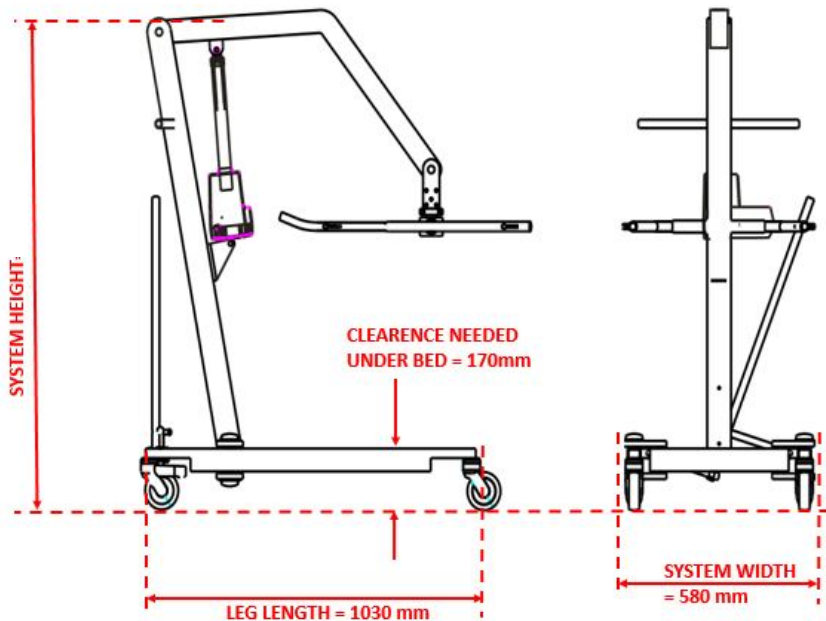


2. LIFT WITH POWERED HOIST



3. TRANSFER TO WHEELCHAIR

### OVERALL DIMENSIONS

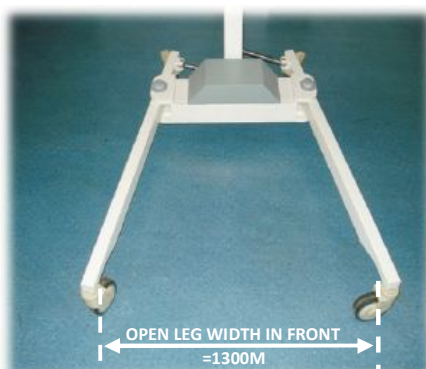


### FEATURE LIST

| FEATURE                      | STANDARD RANGE                   | EXTENDED RANGE                      |
|------------------------------|----------------------------------|-------------------------------------|
| LIFT CAPACITY                | 130 kgs                          | 200 kgs                             |
| RANGE OF VERTICAL MOVEMENT   | 400 mm to 900 mm                 | Ground to 900 mm                    |
| SYSTEM HEIGHT                | 1450 MM                          | NOT APPLICABLE                      |
| SYSTEM WIDTH                 | 576 MM                           | NOT APPLICABLE                      |
| WHEEL SIZE                   | 100 MM CASTORS                   | ON REQUEST                          |
| CLEARNECE UNDER BED REQUIRED | 170 MM ATLEAST                   | CAN BE REDUCED TO 150 MM IN REQUEST |
| LEG LENGTH                   | 1030 MM                          | NOT APPLICABLE                      |
| WEIGHT OF SYSTEM             | 64 KGS APPROX                    | NOT APPLICABLE                      |
| BATTERY UNIT CAPACITY        | UPTO 15 LIFTS PER CHARGE OR MORE | NOT APPLICABLE                      |
| OPEN LEG WIDTH IN FRONT      | ATLEAST 1100MM                   | NOT APPLICABLE                      |
| SLING                        | AVAILABLE IN M, L AND XL SIZE    | XXL ON REQUEST                      |

### ADDITIONAL ACCESSORIES (NOT PART OF STANDARD KIT)

- DIGITAL WEIGHING SCALE TO MEASURE WEIGHT OF PATIENTS
- STAND UP SLING FOR WALKING PHYSIOTHERAPY EXERCISES (UNWEIGHING SLING)
- INCREASED LIFT CAPACITY TO 200 KGS ON REQUEST
- CUSHIONING LAYER AS PER NEED FOR PATIENTS WITH VIGOROUS JERK TENDENCY





REMOTE & BATTERY BOX WITH INDICATOR & EMERGENCY STOP BUTTON MOUNTED TO BACK OF THE DEVICE.

OVERALL DEVICE IN RAISED POSITION.

## SPECIAL FEATURE

### UNWEIGHING SYSTEM TO ALLOW WALKING EXERCISES

Patients with lower or no lower body strength can be supported through this system using an ADDITIONAL Stand UP Sling that can be ordered with the device. This enables to put partial weight on person's legs and allow walking exercises. With use of an OPTIONAL WEIGHING SCALE the user can also decide what percent of load needs to be put on legs. This can hence be an important tool for maintaining muscular vitality and enabling rehabilitation training in patients whose motor control abilities have been hindered.



Figure on right illustrates a nursing aid coaxing the patient to try and walk with partial load of self on the legs. A weighing digital scale as shown below can be integrated to help identify the extent of 'unweighing'.



The patient hoist is a versatile tool to

HANDLE PATIENTS WITH LIMITED MOBILITY WITH DIGNITY AND CARE

REDUCE INJURIES TO YOUR NURSING STAFF

MORE DIGNIFIED STAY OF PATIENTS AS THEY CAN DEFECTAE IN TOILET AND DON'T NEED TO BE RESTRAINED TO BEDS.

MORE FREEDOM TO MOVE AROUND AND JOIN FRIENDS AND FAMILY IN DAY TO DAY LIFE.

VERSATILE TOOL TO ALLOW WALKING EXERCISE FOR THE PATIENT BY SHARING THE LOAD OF PATIENT TO DESIRED EXTENT. USABLE FOR MOTOR REHABILITATION OF PATIENTS

YOU CAN GIVE

more

**DIGNITY**



more

**INDEPENDENCE**

TO YOUR PATIENTS WIHTOUT COMPROIMISING THE HEALTH OF YOUR  
NIRSING STAFF

CONTACT US FOR MORE DETAILS

### SERVICE & SALES CONTACT

Uttejna Technologies  
Plot no 3, Puttappa Industrial Estate  
Mahadevapura PO  
Off Whitefield Road  
Bangalore 560048  
Phone : +91 96111 96324  
e mail : [marketing@uttejna.com](mailto:marketing@uttejna.com)  
web: [www.uttejna.com](http://www.uttejna.com)

